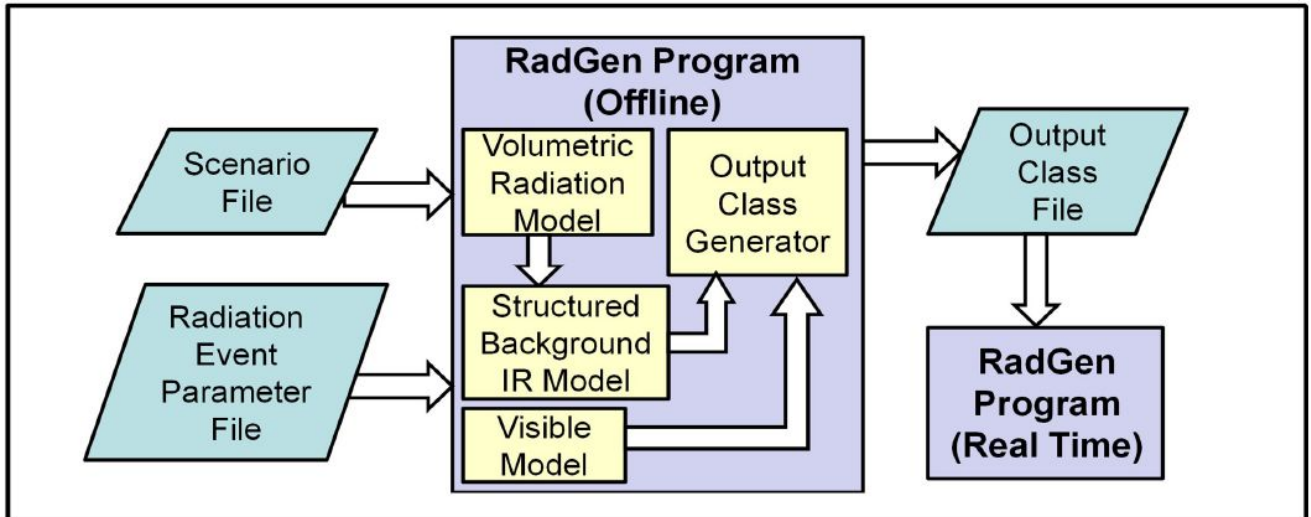
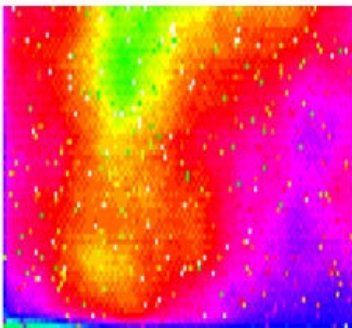


## Radiation Hardening Modeling Program



- ◆ **nLogic** brings expertise with natural and man-made radiation effects modeling. Our physics-based modeling tool provides a PC-based scene generation capability for visible & infrared sensors. Includes capability for both radiation effects on targets and backgrounds.



Focal Plane Array Image during Radiation Event

### Capabilities:

- ◆ Off-Line Modeling
  - ◆ Includes Industry Standard Models (SCENARIO, NORSE, IRSIM, SSGM, ...)
  - ◆ Inputs Flight Scenarios & Radiation Event Parameters
  - ◆ Outputs Files Describing Visible/Infrared Scenes
- ◆ Real-Time Modeling
  - ◆ Inputs & Outputs from Off-Line Component
  - ◆ Integrated with User-Supplied Real-Time Flight Simulation

### Contact Information

Tim Thornton, CEO/President  
tim.thornton@nlogic.com

Joe Paschall, Vice President  
joe.paschall@nlogic.com